

Unit Features

Frame:

Frame Thickness: 70mm (2 3/4")

Frame Width: 67mm (2 5/8") or 80mm (3 5/32") Steel Reinforced

Sash:

Sash Thickness: 70mm (2 3/4")

Sash Width: 80mm (3 5/32") Steel Reinforced

Shape Options:

Fixed and Operable

Hardware:

Tilt Turn:

Roto multi-point locking hardware with white handle and hinge covers

Keyed Custodial Handle Available

Optional Keyed or Non Keyed Handle/Hinge Colors:

Silver, brass, bronze, brown, titanium, champagne

Upgraded Non Keyed Handle Colors:

Chrome, Brushed Chrome, Satin Nickel, Antique Brass, Oil Rubbed Bronze, Matte Black

Optional Features:

Concealed Hinge Hardware, Custodial Locking Tilt First, Turn Limiters

Hopper:

Roto multi-point locking hardware w/ Stainless Friction Hinges

Handle/Hinge Colors: Same as Tilt Turn

Optional Features: Concealed Hinge Hardware

Weather Strip:

Weather Stripping: Frame, Sash & Bead

Color: Black or Grey

Screening:

Fixed Screen:

3/8"x3/4" Roll-formed metal screen bar(white) with fiberglass mesh charcoal grey screen cloth.

Spring loaded installation

Optional Screening:

Genius® retractable screening solutions

Unit Features (continued)

Glass & Glazing:

Standard:

1 1/2" 180/Clear/180 Argon, Annealed

Available IG Sizes:

1", 1 1/2"

Optional Glazing Available:

Tempered, Dual Glazed, Laminated, Obscure, Tints

Grid Options:

Simulated Divided Lite (SDL) with and without spacer, True Divided Lite (85mm 3 11/32" T Mull)

Upgraded Grid Option:

Decralite SDLs, Two-Tone Grid Color, Painted per customer color request

Color/Finish Options:

Standard:

White Interior/White Exterior

Laminate/Foil Options:*

Interior Only

Natural Oak, Hillside Oak, Colonial Cherry, Cavalier Oak, American Maple, American Cherry

Interior/Exterior Woodgrains:

Rojo Oak, Golden Oak, Walnut, Mahogany, Chestnut

Interior/Exterior Colors:

Bone, Clay, Brown, Cocoa, Brushed Silver, Hunter Green, Garnet, Bronze, Sand

Paint Options

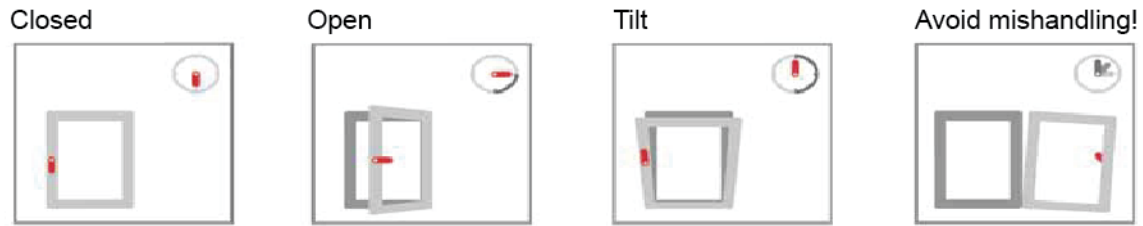
Black, Dark Bronze, Slate Gray, Silver, Linen, Almond, Sand, Clay, Hartford Green, Brick Red

Product comes with 10-Year Manufacturer's Warranty

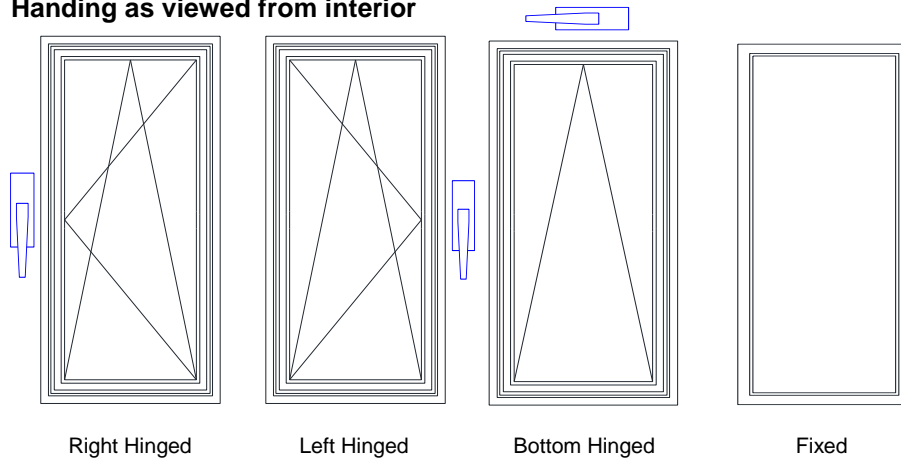
**Sample booklet available upon request*

Unit Operation / Certified Testing Info / Thermal Tests

Tel: 207-588-6590
Fax: 207-588-6591



Handling as viewed from interior



Commercial Ratings:

Unit Type	Certified Size	Tested to
Tilt Turn	48"x72"	CW-PG85-DAW
Hopper	60"x36"	CW-PG90-AP
Picture Window	99"x63"	CW-PG65-FW

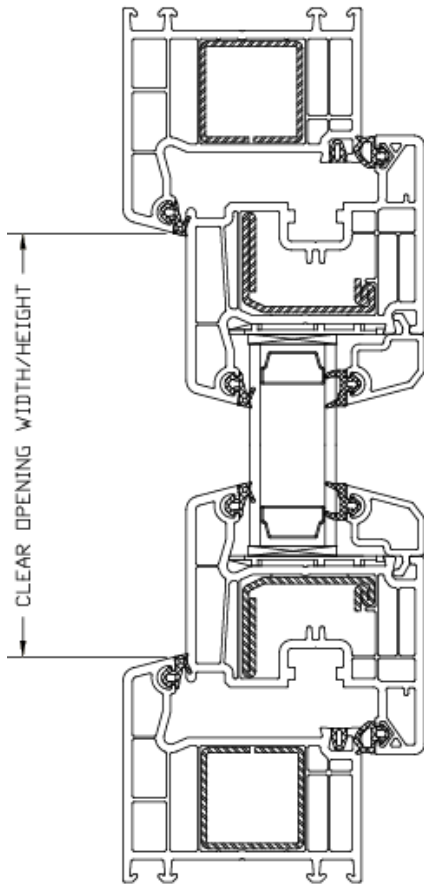
Standard Glass Thermal Values:

Unit Type	Make Size	U Value	SHGC
Tilt Turn & Hopper	48"x59"	0.18	0.37
Picture Window	48"x59"	0.16	0.44

Unit Measurement Details

Tel: 207-588-6590
Fax: 207-588-6591

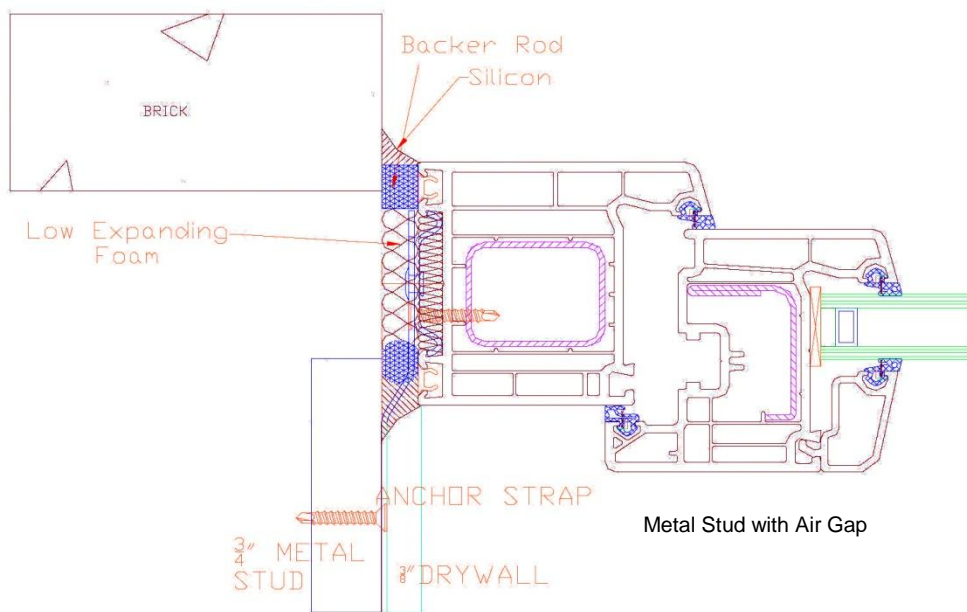
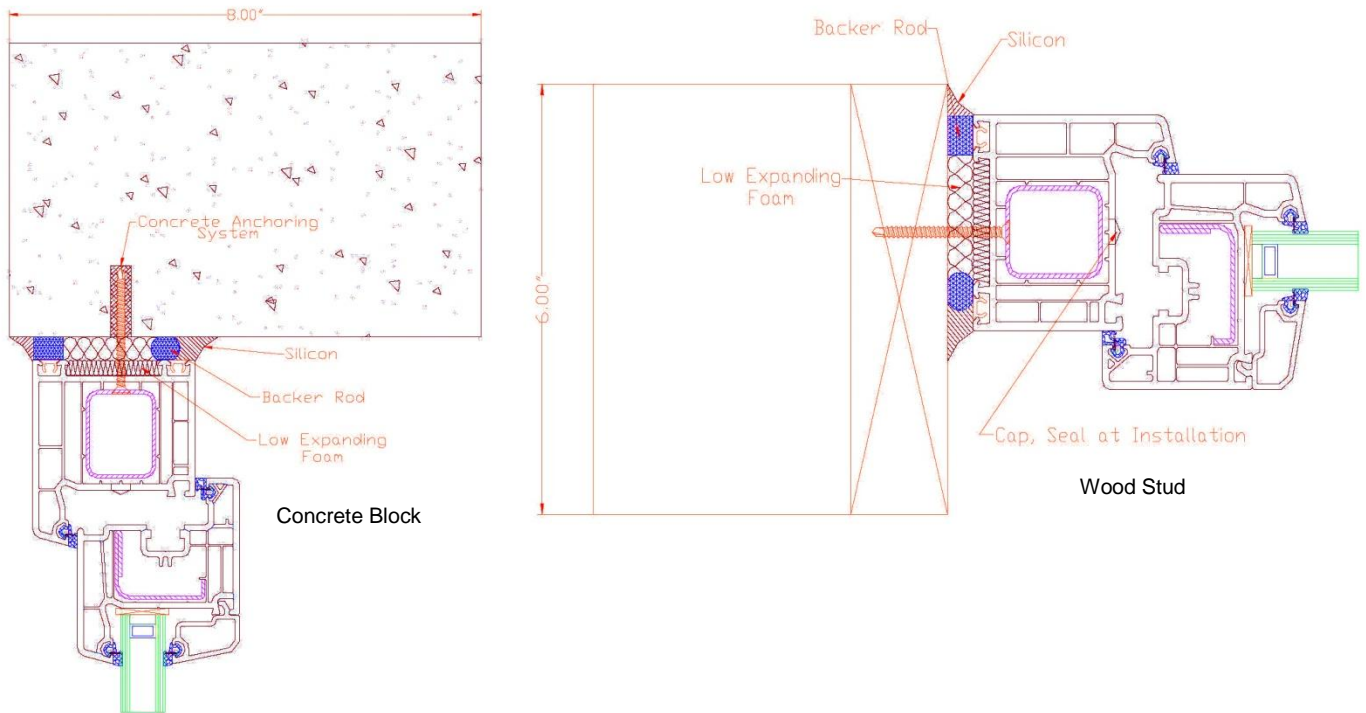
2-3/4" Frame



Unit Measurements 2-3/4" Frame:

Measurement Type	Width	Height
Make Size	Rough Open - .5"	Rough Open - .5"
Egress Opening	Make Size - 5.25"	Make Size - 5.25"
Glass Size	Make Size - 8"	Make Size - 8"

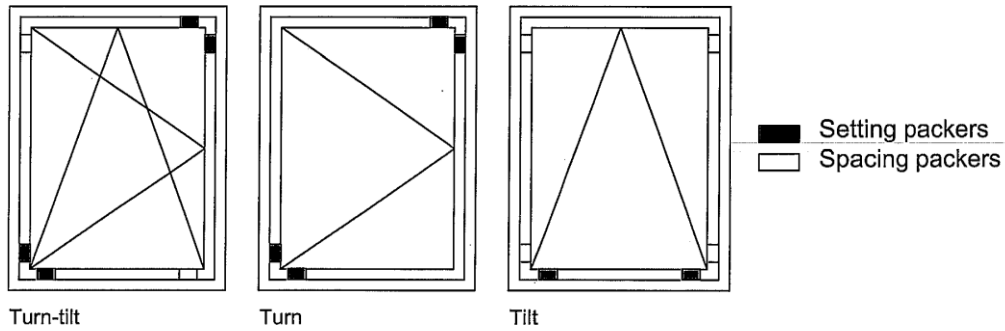
Installation Methods



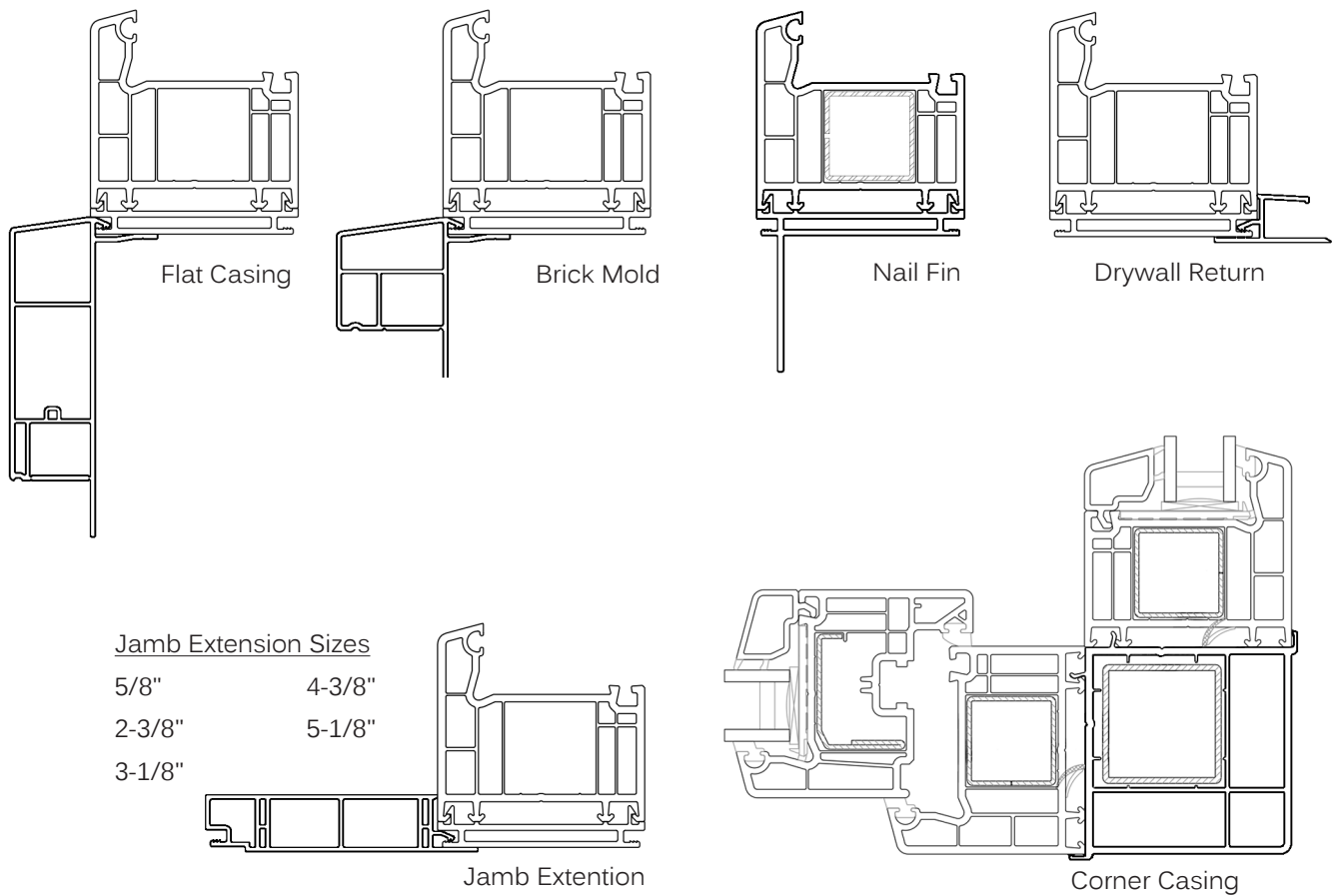
Glazing Diagram / Optional Accessories

Tel: 207-588-6590
Fax: 207-588-6591

Glazing:



Accessories:

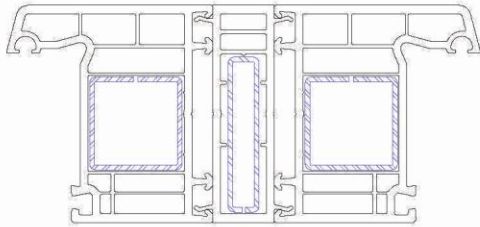


Standard Field Mull Coupling Systems*

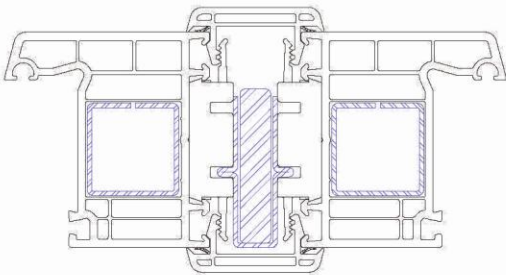
Tel: 207-588-6590
Fax: 207-588-6591

Vertical Systems

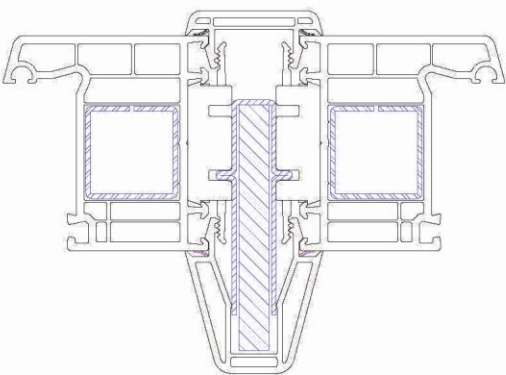
Horizontal Systems



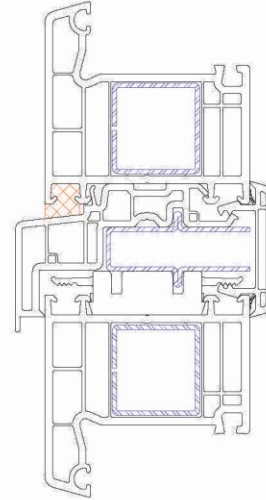
C1



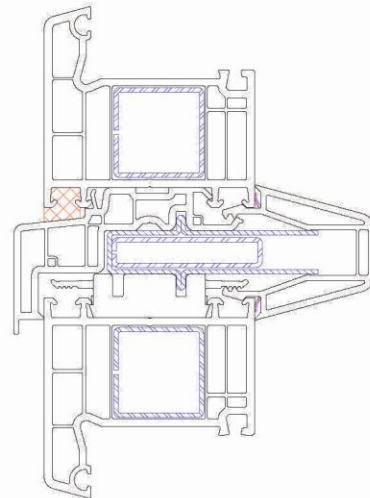
A1.2



B1.4



D1



D2.1

* Additional field mull systems available.
Call for additional technical specifications.